

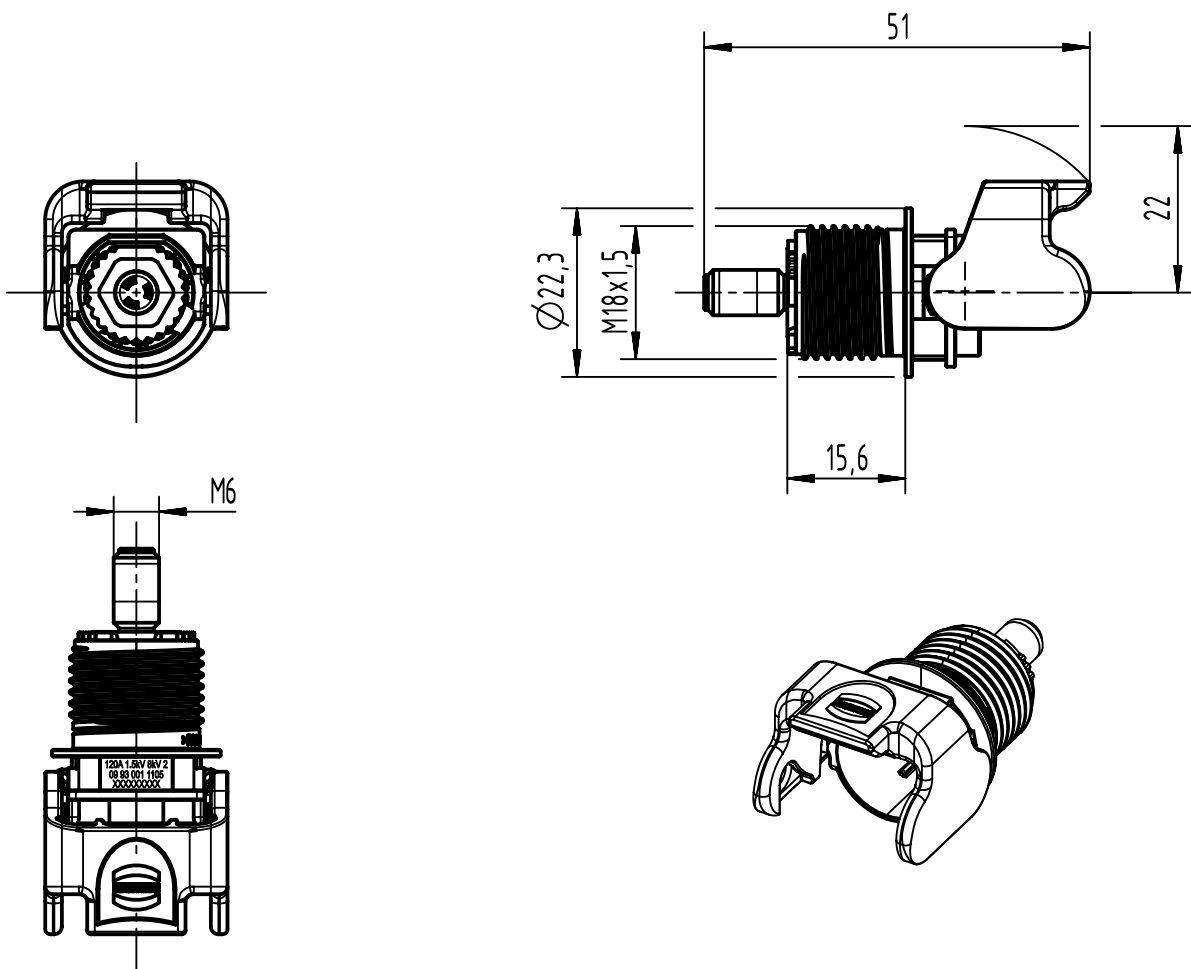
1 2 3 4 5 6


A

B

C

D



	All rights reserved Department EL PD	All Dimensions in mm Original Size DIN A4	Scale 1:1	Free size tol.	Ref.	
		HARTING D-32339 Espelkamp	Created by SHENGJ	Inspected by WANGSTE	Standardisation ROEBEN	Date 2022-05-12
Title Han@ S 120 HSI w. MC M6 black SLV					Doc-Key / ECM-Nr. 100983355/UGD/000/A 500000207972	
		Type TB	Number 09 93 001 1105		Rev. A	Page 1/1